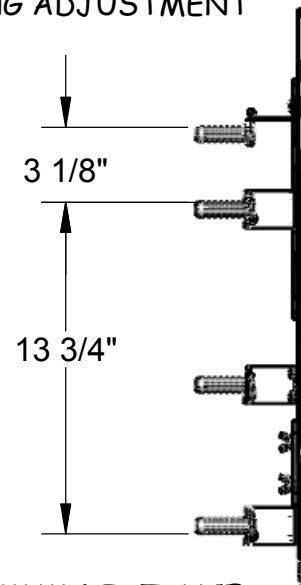
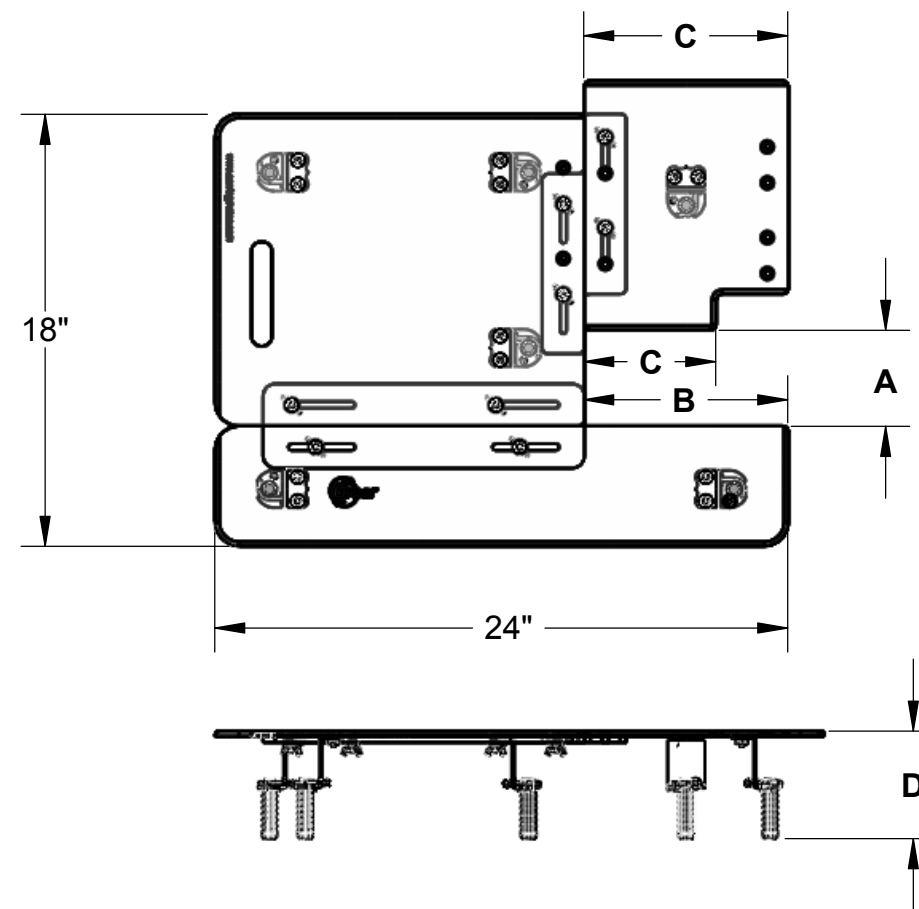


18 x 24 Sew-Adjustable

MAXIMUM ADDITIONAL
LEG SPACING AT LARGEST
OPENING ADJUSTMENT



MINIMUM DISTANCE
BETWEEN FRONT AND
BACK LEGS



C) ADJUSTS TO 5-1/2" OR 8-1/2" LONG ON THE
BACK OF THE FREEARM OR SEWING BED
BY REVERSING THE BACK ADJUSTER
CUSTOM BACK ADJUSTERS CAN BE
ORDERED FOR SPECIAL REQUIREMENTS

A) ADJUSTS FOR FREEARMS OR SEWING BEDS
FROM 2-1/2" TO 8-1/2" WIDE

B) ADJUSTS FOR FREEARMS OR SEWING BEDS
FROM 5" TO 10" LONG ON THE FRONT

D) LEGS ON ALL MODELS OF THE TABLE
ADJUST FROM 2-3/4" TO 4-1/2"
IN 1/8" INCREMENTS OR DOWN TO
2-1/2" BY REMOVING LEG EXTENSIONS

A SHORT LEG OPTION GIVES
A RANGE OF 2-1/2 TO 4" AND 2-1/4"
BY REMOVING LEG EXTENSIONS.
AVAILABLE ON REQUEST.