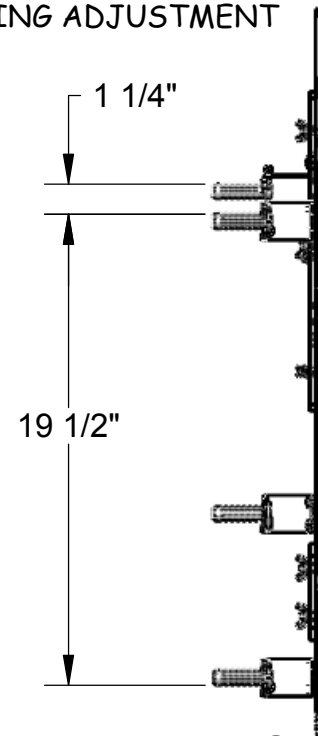
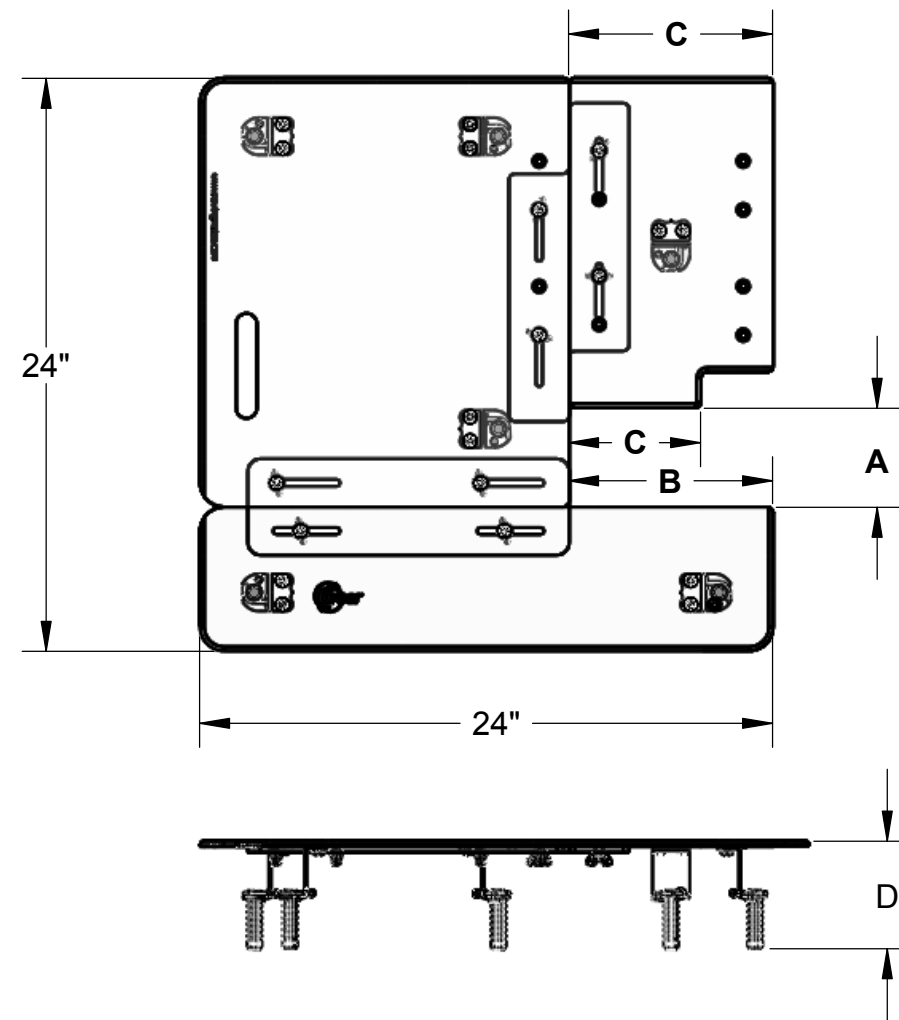


# 24 x 24 Sew-Adjustable

MAXIMUM ADDITIONAL  
LEG SPACING AT LARGEST  
OPENING ADJUSTMENT



MINIMUM DISTANCE  
BETWEEN FRONT AND  
BACK LEGS



C) ADJUSTS TO 5-1/2" OR 8-1/2" LONG ON THE  
BACK OF THE FREEARM OR SEWING BED  
BY REVERSING THE BACK ADJUSTER  
CUSTOM BACK ADJUSTERS CAN BE  
ORDERED FOR SPECIAL REQUIREMENTS

A) ADJUSTS FOR FREEARMS OR SEWING BEDS  
FROM 2-1/2" TO 10-1/2" WIDE

B) ADJUSTS FOR FREEARMS OR SEWING BEDS  
FROM 5" TO 10" LONG ON THE FRONT

D) LEGS ON ALL MODELS OF THE TABLE  
ADJUST FROM 2-3/4" TO 4-1/2"  
IN 1/8" INCREMENTS OR DOWN TO  
2-1/2" BY REMOVING LEG EXTENSIONS

A SHORT LEG OPTION GIVES  
A RANGE OF 2-1/2 TO 4" AND 2-1/4"  
BY REMOVING LEG EXTENSIONS.  
AVAILABLE ON REQUEST.